
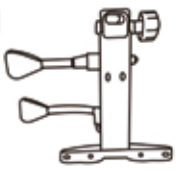







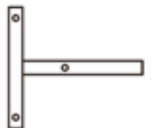




Ax1 	Hx1 
Bx1 	Ix4 
Cx1 	Jx4  8X30
Dx5 	Kx4  6X20
Ex2 	Lx1 
Fx1 	Mx3  6X35
	Nx1 